

1 2 3 4 5 6 7 8 9

F

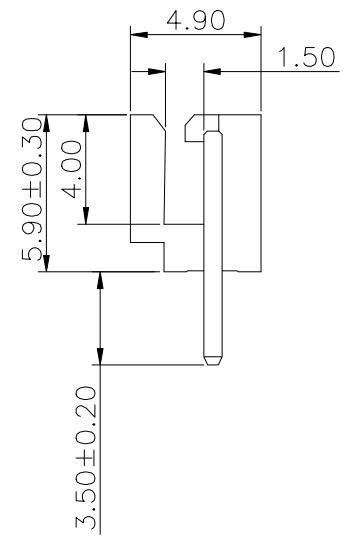
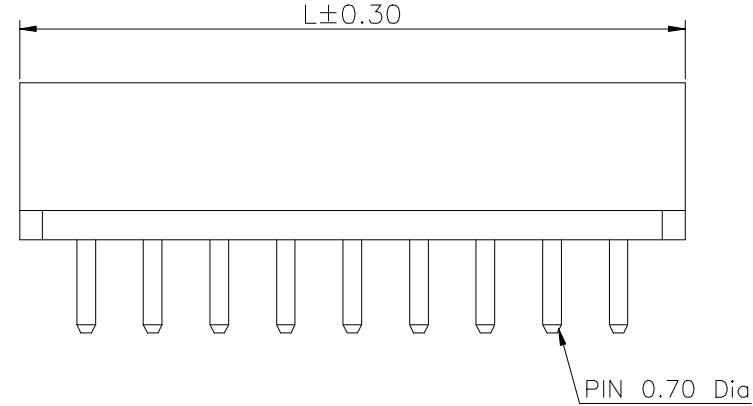
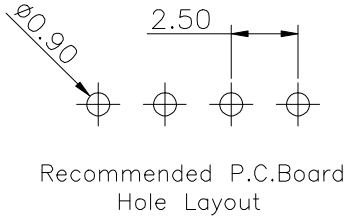
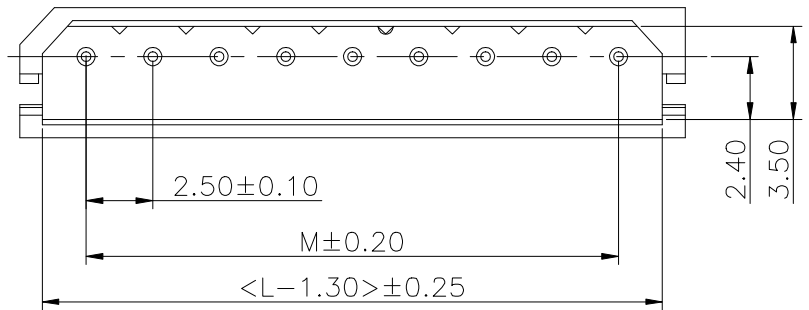
E

D

C

B

A



Specifications
 Current Rating: 3.0Amp (AC/DC)
 Voltage Rating: 250V(AC/DC)
 Insulation Resistance: 1000MΩ Min.
 Dielectric Withstanding: 800V AC/Minute
 Contact Resistance: 20mΩ Max.
 Operating Temperature: -25°C to +80°C
 Materials
 Contact Material: Brass
 Insulator Material: Thermoplastic, UL 94V-0
 Nylon 66 or the equivalent material
 All materials must meet Greenconn
 requirement for environment protection.

Ordering Information
 G WGA106 - XX XX A 002 E X B X
 No. of Pins per Row 02~16 Standard Plating 01=Tin
 Color 1=BLACK 2=White Standard Packing A=box Selective Packing C=Tube

No. of PIN/ROW	Dimension Information	
	M	L
02	2.50	7.50
03	5.00	10.00
04	7.50	12.50
05	10.00	15.00
06	12.50	17.50
07	15.00	20.00
08	17.50	22.50
09	20.00	25.00
10	22.50	27.50
11	25.00	30.00
12	27.50	32.50
13	30.00	35.00
14	32.50	37.50
15	35.00	40.00
16	37.50	42.50

格稜股份有限公司
Greenconn Corporation

GENERAL TOLERANCE	
X.' ±5.0'	X. ±0.30
.X' ±3.0'	.X ±0.25
.XX' ±2.0'	.XX ±0.15
.XXX' ±1.0'	.XXX ±0.10

DESIGN:	DATE:
CHECKED:	DATE:
AUDITED:	DATE:

DWG. NO. GWGA106-CA2EB
PART NO. GWGA106-XXXX A002EXBX

TITLE:
 WAFER FOR PITCH
 2.50 STRAIGHT

1 2 3 4 5 6 7 8 9